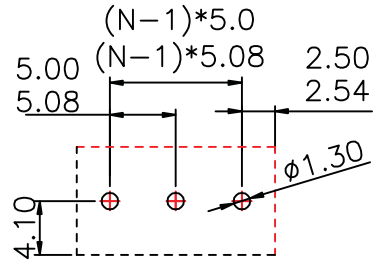
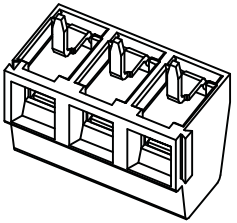


RoHS Compliant Customer Drawing

REV.	ECN NO.	DESCRIPTION	DATE	DESIGN



PCB LAYOUT (RECOMMENDED)
(TOP VIEW TOL. : ±0.05)

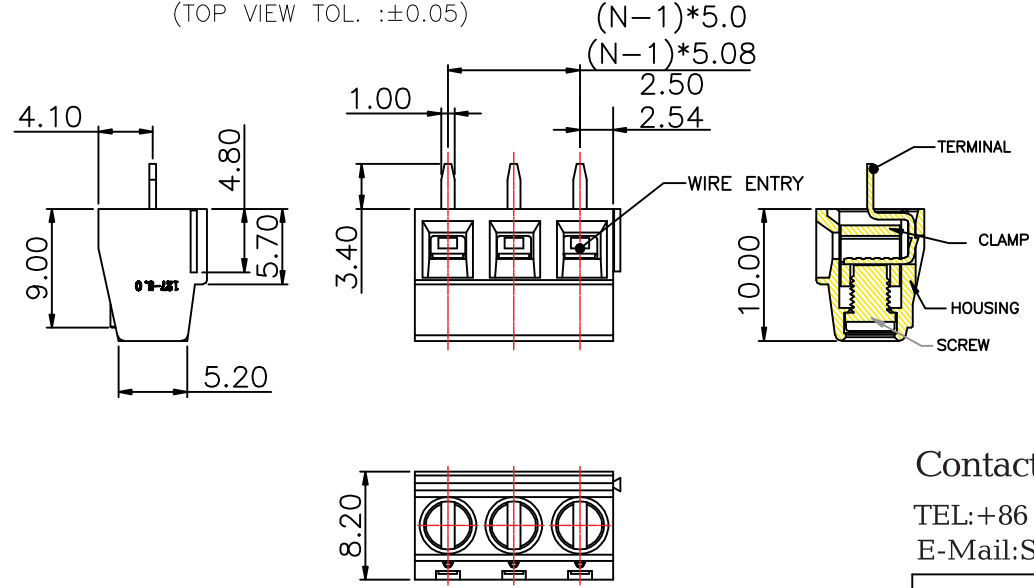


SPECIFICATION

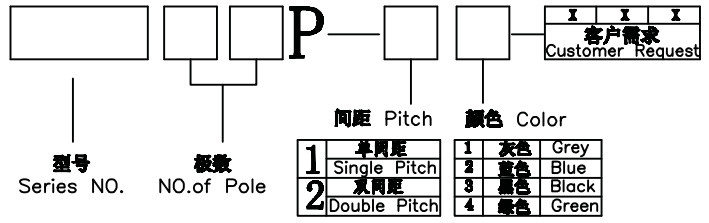
MATERIAL
 Housing: PA66, UL94V-0
 Screw: M2.5 Steel, Zinc Plated
 Terminal: Brass, Tin Plated
 Clamp: Brass, Ni Plated

ELECTRICAL
 Rated voltage: 300V
 Rated current: 12A
 Wire Range (AWG/MM²): 26-16AWG/0.14-1.5MM²
 Withstanding voltage: AC2000V/ 1Min

MECHANICAL
 Torque: 0.4Nm (3.5Lb-In.)
 Strip Length: 6mm
 Operating Temperature: -40°C ~ +105°C



订购方式 / HOW TO ORDER



Contact Us

TEL: +86 - 574 - 63510149 FAX: +86 - 574 - 63516735
 E-Mail: Sales@cxsuteng.com Website: www.cxsuteng.com

N = No. of contacts

公差一览表 TOLERANCE UNLESS OTHERWISE				慈溪市速腾电子有限公司 SUTOWN CIXI SUTENG ELECTRONIC CO., LTD					
X.	±0.25	X°	±5°	单位 UNITS	mm	制图 DRAWING	No.01	产品名称 TITLE	ST127-5.0/5.08
.X	±0.20	.X°	±2°	角法 VIEW	第三角	设计 DESIGN	No.06	产品料号 PART NO.	ST127-5.0/5.08
.XX	±0.15	.XX°	±1°	比例 SCALE	1:1	审核 CHKD		图号 DRAW NO.	ST127-5.0/5.08
.XXX	±0.02	.XXX°	±0.5°	日期 DATE	2012.07.10	版本 APPD	AO		